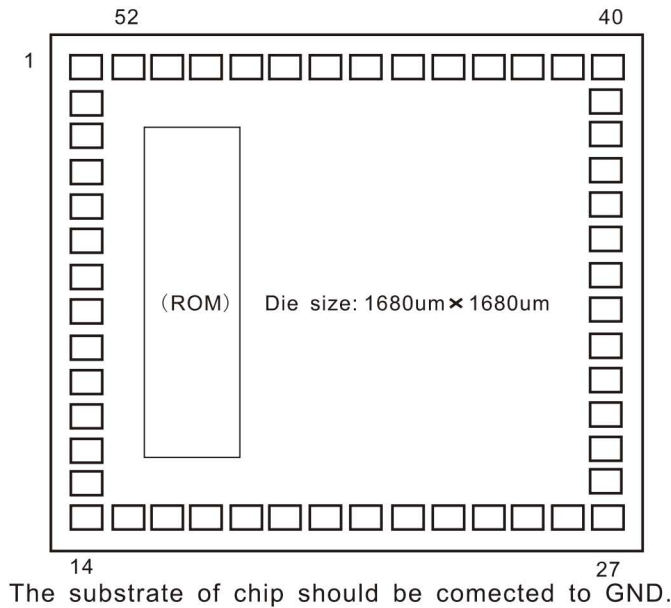
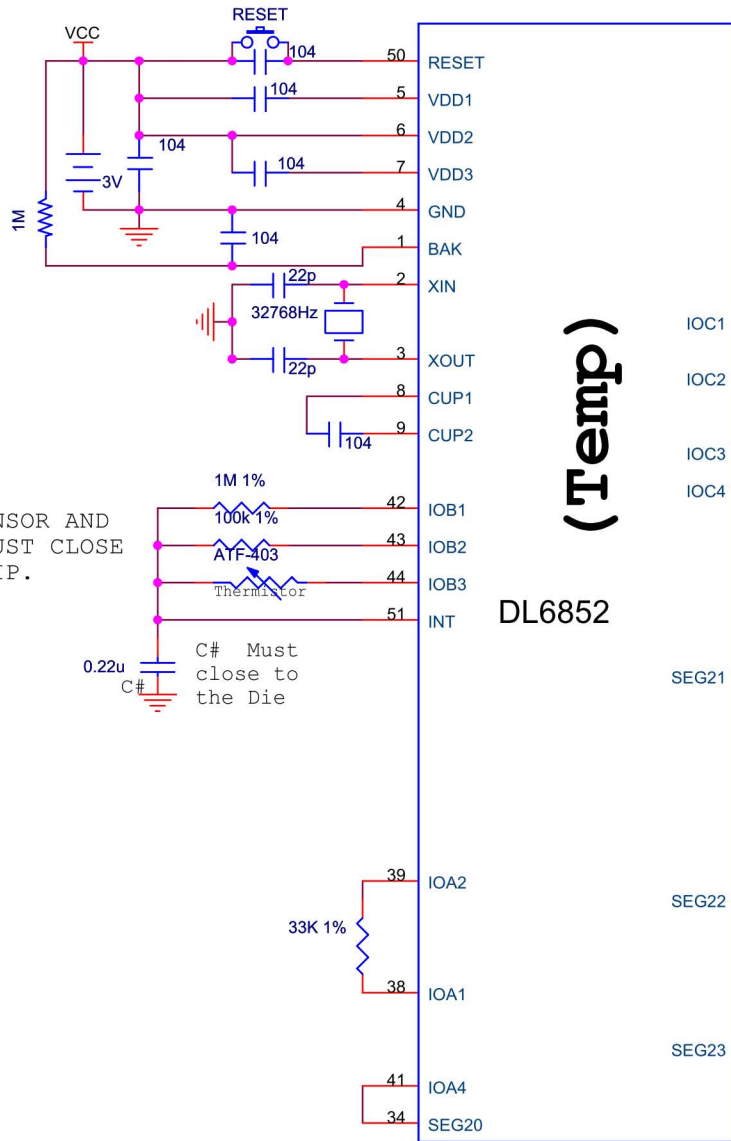


DL6852



NO	NAME	X	Y	NO	NAME	X	Y
1	BAK	77.5	1602.5	27	N. C.	1602.5	77.5
2	XIN	77.5	1472.5	28	N. C.	1602.5	207.5
3	XOUT	77.5	1357.5	29	N. C.	1602.5	322.5
4	GND	77.5	1242.5	30	N. C.	1602.5	437.5
5	VDD1	77.5	1127.5	31	N. C.	1602.5	552.5
6	VDD2	77.5	1012.5	32	N. C.	1602.5	667.5
7	VDD3	77.5	897.5	33	N. C.	1602.5	782.5
8	CUP1	77.5	782.5	34	SEG20	1602.5	897.5
9	CUP2	77.5	667.5	35	SEG21	1602.5	1012.5
10	N. C.	77.5	552.5	36	SEG22	1602.5	1127.5
11	N. C.	77.5	437.5	37	SEG23	1602.5	1242.5
12	N. C.	77.5	322.5	38	IOA1	1602.5	1357.5
13	N. C.	77.5	207.5	39	IOA2	1602.5	1472.5
14	N. C.	77.5	77.5	40	N. C.	1602.5	1602.5
15	N. C.	207.5	77.5	41	IOA4	1472.5	1602.5
16	N. C.	322.5	77.5	42	IOB1	1372.5	1602.5
17	N. C.	437.5	77.5	43	IOB2	1242.5	1602.5
18	N. C.	552.5	77.5	44	IOB3	1127.5	1602.5
19	N. C.	667.5	77.5	45	N. C.	1012.5	1602.5
20	N. C.	782.5	77.5	46	IOC1	897.5	1602.5
21	N. C.	897.5	77.5	47	IOC2	782.5	1602.5
22	N. C.	1012.5	77.5	48	IOC3	667.5	1602.5
23	N. C.	1127.5	77.5	49	IOC4	552.5	1602.5
24	N. C.	1242.5	77.5	50	RESET	437.5	1602.5
25	N. C.	1357.5	77.5	51	INT	322.5	1602.5
26	N. C.	1472.5	77.5	52	N. C.	207.5	1602.5



!! SENSOR AND CAP MUST CLOSE TO CHIP.

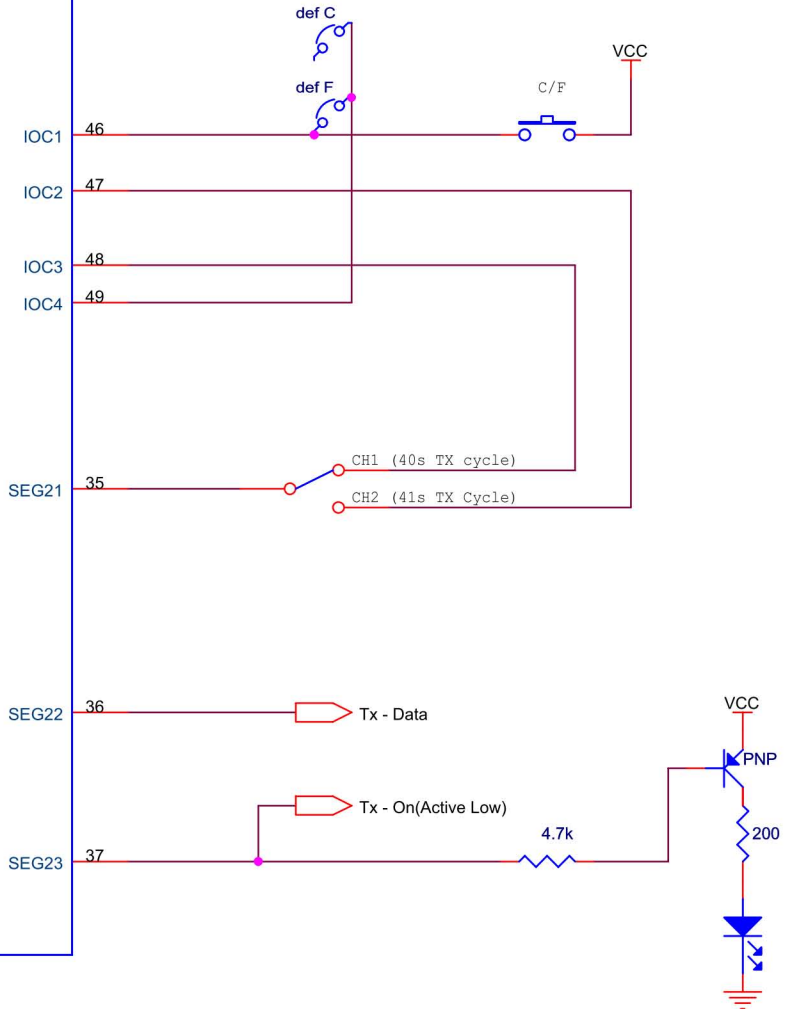
C# Must close to the Die

Temp Range
-50 ~ +70 Deg C

(Temp)

DL6852

For:
DL230 , Use CH1 and CH2 only



Title		
DL6852 (Temp only)		
Size	Document Number	Rev
		1.1
Date:	Thursday, July 10, 2008	Sheet 1 of 1

D

D

C

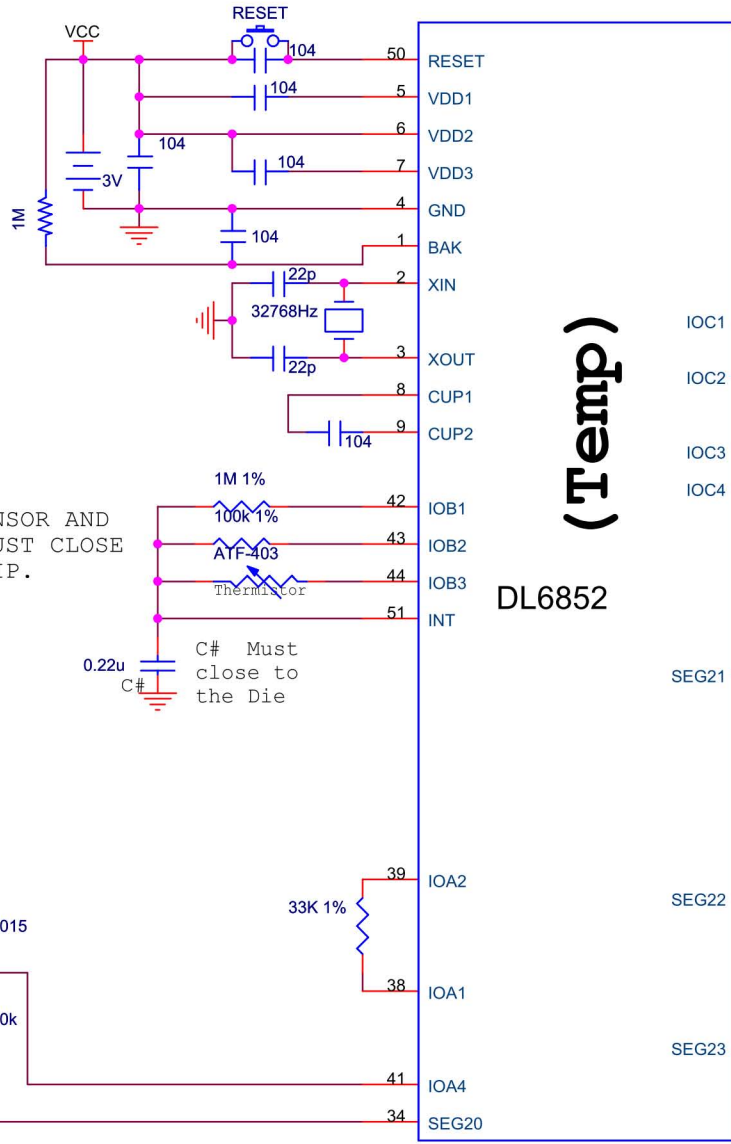
C

B

B

A

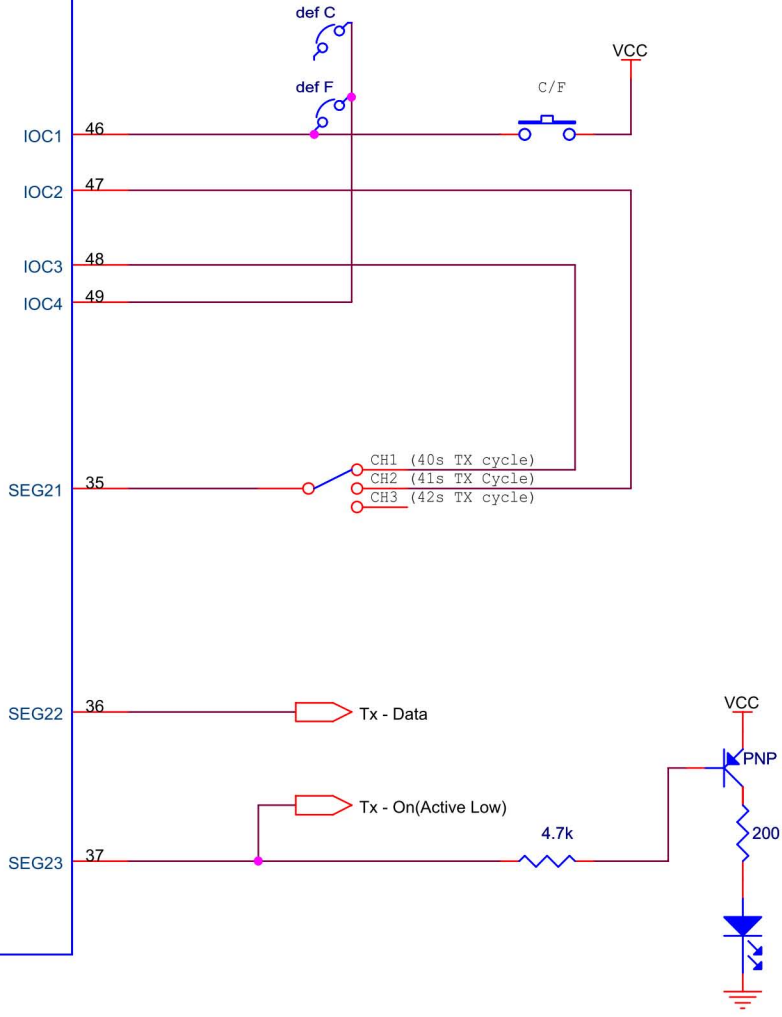
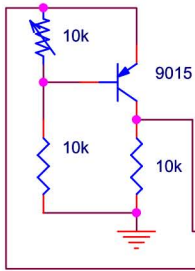
A



For:
DL6850 ,No Outdoor Humidity Option

Temp Range
-50 ~ +70 Deg C

RESISTOR
VALUES ARE FOR
REFERENCE ONLY

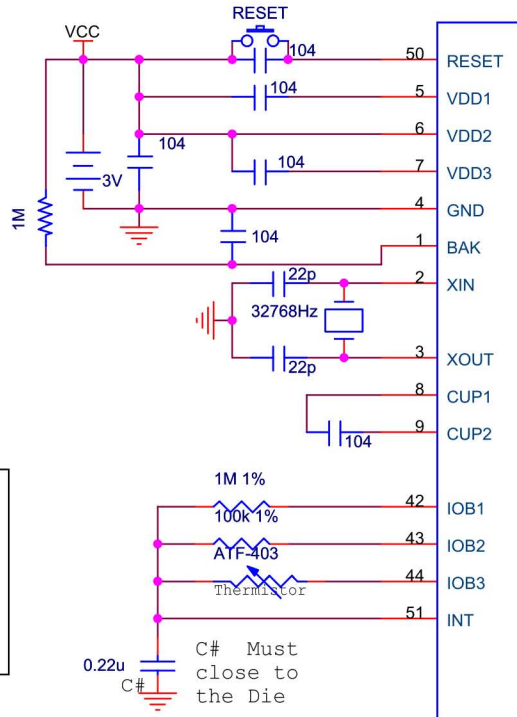
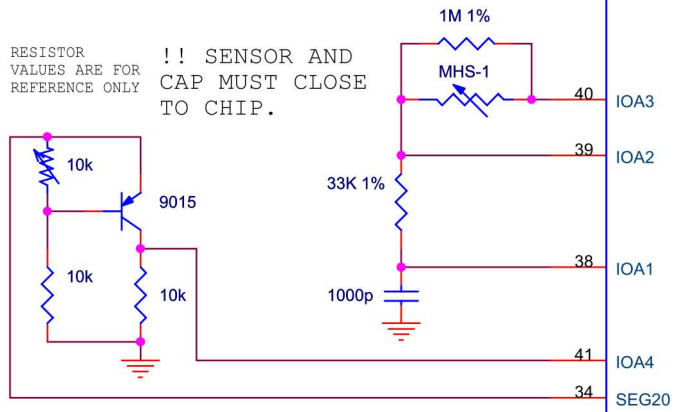


Title		DL6852 (Temp)	
Size	Document Number	Rev	1.1
Date:	Thursday, July 10, 2008	Sheet	1 of 1

Temp Range
-50 ~ +70 Deg C

Humidity Range
20 ~ 90%

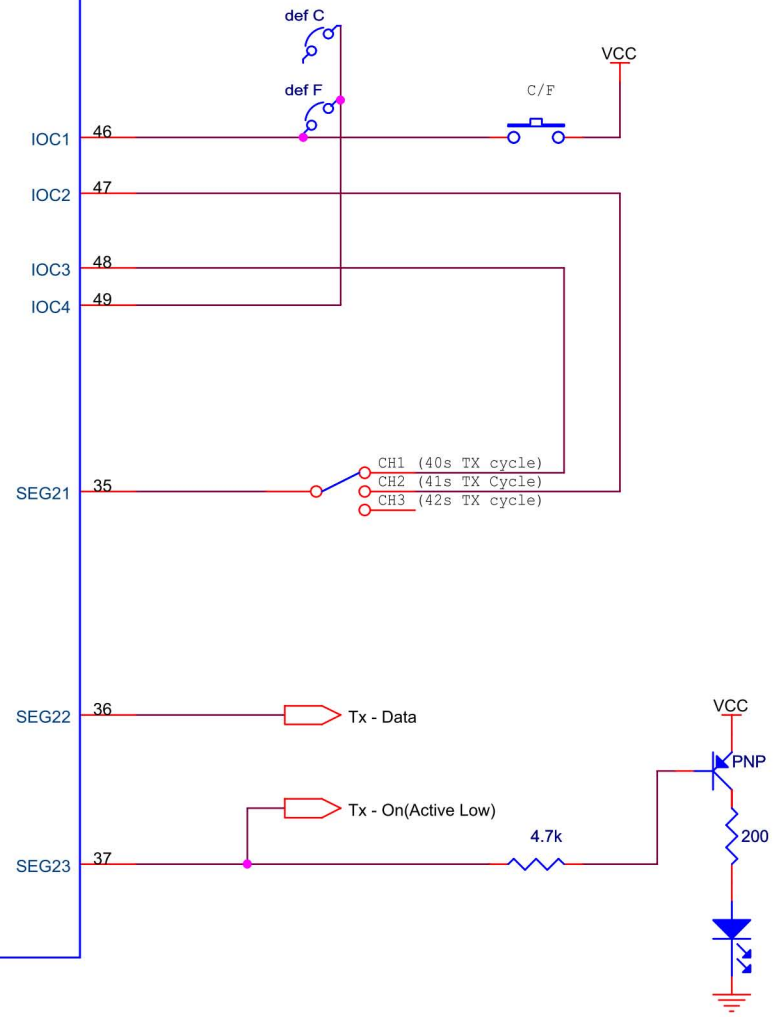
RESISTOR VALUES ARE FOR REFERENCE ONLY !! SENSOR AND CAP MUST CLOSE TO CHIP.



(Temp & Humid)

DL6852

For:
DL6850 Outdoor Temp and Humidity Option



Title		DL6852 (Temp & Humid)	
Size	Document Number	Date:	Rev 1.1
Date: Thursday, July 10, 2008		Sheet	1 of 1